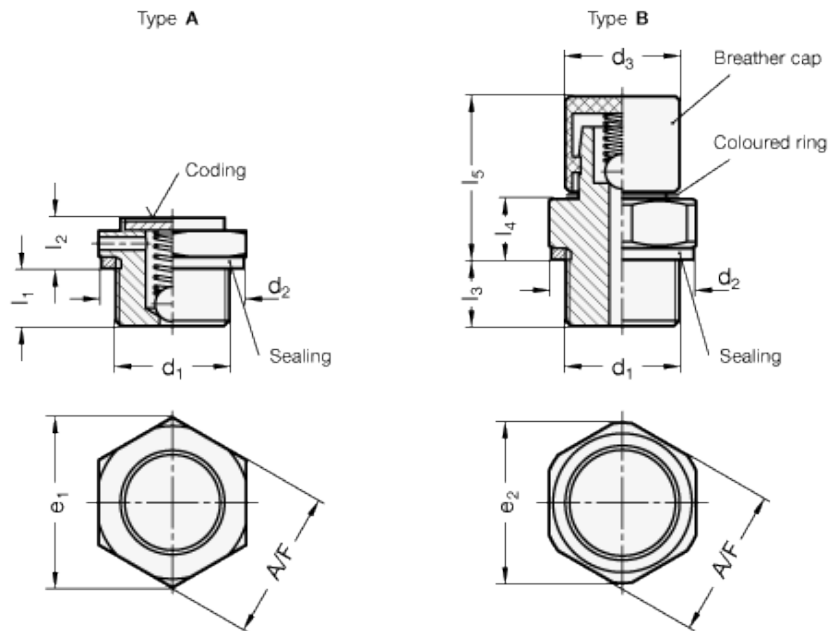


GN 883

Breather valves



technical informations

Material
Brass.

Breather cap

Plastic, Polyamide based (PA) technopolymer. Resistant to solvents, oils, greases and other chemical agents.

Bore

AISI 5210 stainless steel.

Spring

AISI 301 stainless steel.

Sealing DIN 7603 A

Soft iron 1.0338 (for $d_1 = M10 \times 1: PA6$)

Temperature resistance

From -30°C to $+100^{\circ}\text{C}$.

Standard versions available

- Type A: low design.
- Type B: high design, with plastic cap.

Accessories on request

- other materials.
- with dipstick.

Features and applications

Once the opening pressure given in the table is exceeded, breather valves GN 883 will vent into a container and so protect against excessive inside container pressure. They also feature highly compact dimensions. A coding (Type A) or a colour ring (Type B) in yellow (20 - 80 mbar) or green (160 - 240 mbar) indicates the different opening pressure ratings. The simple function principle (pressure spring / ball) ensures long and trouble-free use of the valve. The installation position is vertical to the top.

Standard Elements	Main dimensions											Opening pressure in mbar		ca. air passage l/min.	Weight g
Description	d ₁	d ₂	d ₃	e ₁	e ₂	l ₁	l ₂	l ₃	l ₄	l ₅	A/F	min.	max.		
GN 883-M10x1-20-A-MS	M10x1	17	-	16	-	6	6	-	-	-	14	20	80	1.2	8
GN 883-M10x1-160-A-MS	M10x1	17	-	16	-	6	6	-	-	-	14	160	240	1.2	8
GN 883-M12x1.5-20-A-MS	M12x1.5	18	-	19.5	-	6.5	6	-	-	-	17	20	80	1.2	14
GN 883-M12x1.5-160-A-MS	M12x1.5	18	-	19.5	-	6.5	6	-	-	-	17	160	240	1.2	14
GN 883-M14x1.5-20-A-MS	M14x1.5	20	-	19.5	-	6.5	6	-	-	-	17	20	80	1.2	16
GN 883-M14x1.5-160-A-MS	M14x1.5	20	-	19.5	-	6.5	6	-	-	-	17	160	240	1.2	16
GN 883-M16x1.5-20-A-MS	M16x1.5	22	-	25	-	9	11	-	-	-	22	20	80	1.2	35
GN 883-M16x1.5-160-A-MS	M16x1.5	22	-	25	-	9	11	-	-	-	22	160	240	1.2	36
GN 883-M10x1-20-B-MS	M10x1	-	13	-	18.5	-	-	8	7	18.5	17	20	80	1.8	19
GN 883-M10x1-160-B-MS	M10x1	-	13	-	18.5	-	-	8	7	18.5	17	160	240	1.8	19
GN 883-M12x1.5-20-B-MS	M12x1.5	-	13	-	18.5	-	-	7.5	7	19	17	20	80	1.8	22
GN 883-M12x1.5-160-B-MS	M12x1.5	18	13	-	18.5	-	-	7.5	7	19	17	160	240	1.8	22
GN 883-M14x1.5-20-B-MS	M14x1.5	20	13	-	18.5	-	-	7.5	7.5	19	17	20	80	1.8	25
GN 883-M14x1.5-160-B-MS	M14x1.5	20	13	-	18.5	-	-	7.5	7.5	19	17	160	240	1.8	25
GN 883-M16x1.5-20-B-MS	M16x1.5	22	13	-	24	-	-	7.5	7.5	19	22	20	80	1.8	36
GN 883-M16x1.5-160-B-MS	M16x1.5	22	13	-	24	-	-	7.5	7.5	19	22	160	240	1.8	36
GN 883-G1/4-20-A-MS	G1/4	20	-	19.5	-	6.5	6	-	-	-	17	20	80	1.2	15
GN 883-G1/4-160-A-MS	G1/4	20	-	19.5	-	6.5	6	-	-	-	17	160	240	1.2	15
GN 883-G3/8-20-A-MS	G3/8	23	-	25	-	9	11	-	-	-	22	20	80	1.2	37
GN 883-G3/8-160-A-MS	G3/8	23	-	25	-	9	11	-	-	-	22	20	240	1.2	37
GN 883-G1/2-20-A-MS	G1/2	26	-	31	-	8.5	11	-	-	-	27	20	80	1.2	46
GN 883-G1/2-160-A-MS	G3/8	23	-	25	-	9	11	-	-	-	22	160	240	1.2	54
GN 883-G3/4-20-A-MS	G3/4	32	-	37	-	8.5	11	-	-	-	32	20	80	1.2	72
GN 883-G3/4-160-A-MS	G3/4	32	-	37	-	8.5	11	-	-	-	32	160	240	1.2	83
GN 883-G1/4-20-B-MS	G1/4	20	13	-	18.5	-	-	7.5	7.5	19	17	20	80	1.8	24
GN 883-G1/4-160-B-MS	G1/4	20	13	-	18.5	-	-	7.5	7.5	19	17	160	240	1.8	24
GN 883-G3/8-20-B-MS	G3/8	23	13	-	24	-	-	7.5	7.5	19	22	20	80	1.8	38
GN 883-G3/8-160-B-MS	G3/8	23	13	-	24	-	-	7.5	7.5	19	22	160	240	1.8	38
GN 883-G1/2-20-B-MS	G1/2	26	13	-	29	-	-	8	8	19.5	27	20	80	1.8	56
GN 883-G1/2-160-B-MS	G1/2	26	13	-	29	-	-	8	8	19.5	27	160	240	1.8	56
GN 883-G3/4-20-B-MS	G3/4	32	13	-	35	-	-	8	8	19.5	32	20	80	1.8	84
GN 883-G3/4-160-B-MS	G3/4	32	13	-	35	-	-	8	8	19.5	32	160	240	1.8	84



STANDARD MACHINE ELEMENTS WORLDWIDE